

Tracker RI-UD

Curved up or down

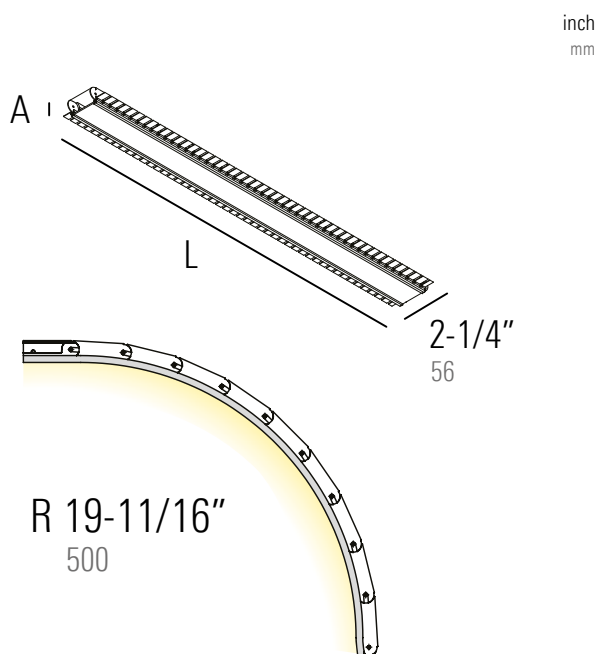
PROJECT NAME

REF



1

Dimension



inch
mm

Order specification

126		1	0	0		00	1	
	A	B	C		D		E	QTY
126		1	0	0		00	1	
	A	B	C		D		E	QTY
126		1	0	0		00	1	
	A	B	C		D		E	QTY
126		1	0	0		00	1	
	A	B	C		D		E	QTY

A PLASTER THICKNESS

8 1/2" (12,5mm)

9 3/8" (16mm)

B TYPE

1 Up or down

C OPTICS

0 See accessories

D LENGTH (L)

3 37-3/8" (950 mm)

1 187" (4750 mm)

E BODY COLOR

1 White

> Configure accessories on the next page

Features



Installation: Recessed trim-less (RI). **Light source:** High-flux PCB LED modules, mid-power SMD LED, CRI > 80, MacAdam ≤2, 50.000h L90 B10. See accessories.

Optic: Satin opal PMMA diffuser (SOP), Soft-light prismatic PMMA diffuser (DPR) in a reel. See accessories. **Body UD:** Flexible polycarbonate module with construction profile holders and curved aluminium side profile. **Control gear:** Constant voltage driver - order separately. **IP protection:** 20.

LED PCB chains MEDIUM output (1,8 W/LED module) Article no.

<input type="checkbox"/>	LED module chain 1xLED	830 M	L3-3/4" (95 mm)	12680250100
<input type="checkbox"/>	LED module chain 10xLED	830 M	L37-3/8" (950 mm)	12680251000
<input type="checkbox"/>	LED module chain 50xLED	830 M	L187" (4750 mm)	12680255000
<input type="checkbox"/>	LED module chain 1xLED	840 M	L3-3/4" (95 mm)	12680260100
<input type="checkbox"/>	LED module chain 10xLED	840 M	L37-3/8" (950 mm)	12680261000
<input type="checkbox"/>	LED module chain 50xLED	840 M	L187" (4750 mm)	12680265000

QTY

LED PCB chains HIGH output (2,645 W/LED module) Article no.

<input type="checkbox"/>	LED module chain 1xLED	830 H	L3-3/4" (95 mm)	12680280100
<input type="checkbox"/>	LED module chain 10xLED	830 H	L37-3/8" (950 mm)	12680281000
<input type="checkbox"/>	LED module chain 50xLED	830 H	L187" (4750 mm)	12680285000
<input type="checkbox"/>	LED module chain 1xLED	840 H	L3-3/4" (95 mm)	12680290100
<input type="checkbox"/>	LED module chain 10xLED	840 H	L37-3/8" (950 mm)	12680291000
<input type="checkbox"/>	LED module chain 50xLED	840 H	L187" (4750 mm)	12680295000

QTY

Drivers Article no.

<input type="checkbox"/>	Driver UL LC 60W 24V 0-10V	702120310
<input type="checkbox"/>	Driver UL LC 90W 24V 0-10V	702120319
<input type="checkbox"/>	Driver L3D0E 96W 24V 0-10V	/
<input type="checkbox"/>	Driver L3D0EW 96W 24V 0-10V	/
<input type="checkbox"/>	Driver LTEA2W 40W 24V 0-10V	/

QTY

Diffusers ROLE Article no.

<input type="checkbox"/>	Diffuser W60 SOP 492-1/8" (12,5 m)	12680111000
<input type="checkbox"/>	Diffuser W60 SOP 984-1/4" (25 m)	12680112000
<input type="checkbox"/>	Diffuser W60 DPR 492-1/8" (12,5 m)	12680121000
<input type="checkbox"/>	Diffuser W60 DPR 984-1/4" (25 m)	12680122000

QTY

Installation sets Article no.

<input type="checkbox"/>	Tracker end-cap set	12680301100
<input type="checkbox"/>	Tracker mounting/cleaning tool set	12680302100
<input type="checkbox"/>	Tracker power inlet set	12680303100
<input type="checkbox"/>	Tracker suspender set	12680304100
<input type="checkbox"/>	Tracker special Junction Set	12680305100

QTY

Light output (lm/ft)

Output	Optic	830	840
Medium	SOP	503	534
High	SOP	732	762
Medium	DPR	518	549
High	DPR	762	793

Maximum number of LED modules/driver

Driver type	Lmax*	Nmax*	Lmax**	Nmax**
DR UL LC 60W 24V 0-10V	123-7/16"	33	82-1/4"	22
DR UL LC 90W 24V 0-10V	187"	50	123-7/16"	33
DR UL LC 120W 24V 0-10V	/	/	168-1/4"	45

*Medium output 503 lm/ft

**High output 732 lm/ft

Nmax = maximum number of LED modules/driver, Lmax = maximum length of LED chain/driver