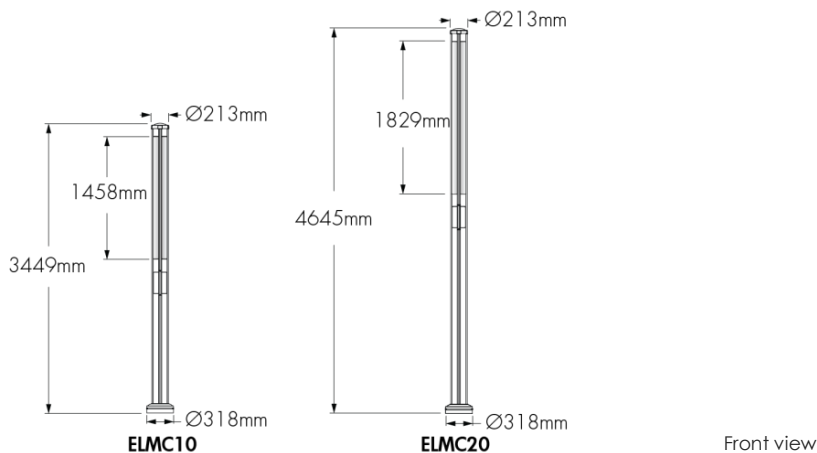


Project Name \_\_\_\_\_ Qty \_\_\_\_\_

Type **A** Catalog / Part Number \_\_\_\_\_



**Photometric Summary**

Output	RO - Regular output		HO - High output	
	ELMC10	ELMC20	ELMC10	ELMC20
Delivered lumens (lm)	1454	1607	1992	2193

Based on CRI 80, 4000K, On/off control.  
Photometric performance is measured in compliance with IESNA LM-79-08.

Housing	ELMC10	ELMC20
Delivered lumens (lm)	389	432

Based on RGBV40K full output, DMX/RDM control.  
Photometric performance is measured in compliance with IESNA LM-79-08.

**Description**

The Element Column is a flexible high-performance LED light column for decorative lighting, public squares, and access roads. Configurable, the elegant luminaire provides a choice of outputs and finishes, as well as Legacy or Custom output modes, offering you flexibility with exceptional continuity. The Element Column is also available in RGBW, Dynamic Warm, and Dynamic White, allowing you to create a number of effects and looks, including static solid colours, dynamic colour chases, pulses, and even rainbow cascades.

**Electrical and control**

Output (nominal lumens)	Regular output, High output
Voltage	120 volts, 208 volts, 240 volts, 277 volts, 347 volts, 480 volts
Control	On/Off control, 0-10V dimming, DALI dimming, DMX/RDM enabled, Dim to Warm via 0-10V (2700K to 2200K), Dim to Warm via single-channel DMX/RDM (2700K to 2200K), Lumentalk

**Features**

Colour and Colour Temperature	2200K, 2700K, 3000K, 3500K, 4000K, 5700K, Dynamic warm white (2200K to 3000K), Dynamic white (2700K to 6500K), Additive RGB + white 3000K, Additive RGB + white 4000K
Distributions	Symmetric 120
Options	Surge protector
Warranty	5-year limited warranty

**Performance**

Colour Rendering	CRI 70+, CRI 80+
Lumen Maintenance	L70 120,000hrs (Ta 25 °C [77 °F])

**Physical**

Housing Material	Aluminium
------------------	-----------

## Wattage Summary

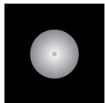
White Light	Voltage	RO - Regular output [W]†	HO - High output [W]†
NO/DIM/DAI	120-277V	24	33
	347V	25	36
	480V	26	36
DMX/RDM	120-277V	26	34
	347V	25	36
	480V	26	36
LT	120-277V	27	36

Color Changing	Voltage	Wattage†
RGBW30K, RGBW40K - DMX/RDM	120-480V	20
RGBW30K, RGBW40K - LT	120-277V	Consult factory

Dynamic White	Voltage	Wattage†
DWH - DMX/RDM	120-277V	15
	347-480V	16
DWW - DIM 0-10V	120-277V	13
	347-480V	14
DWW - DMX/RDM	120-277V	15
	347-480V	16
DWW - DMX/RDM1	120-277V	13
	347-480V	14
LT	120-277V	Consult factory

†Delivered wattage: +/- 10% tolerance.

## Distribution



S120

## Colours and Colour Temperatures

### White & Static Colors



### Dynamic White



### Color Changing



**Lens Material** Moulded white and UV stabilised acrylic

**Weight** 32.3 kg

**EPA** 0.48 sq m

## Environmental

**Environment** Dry/damp/wet location

**Operating Temperature** -40 °C to 40 °C

## Ratings

**LED module** IP66 - Outdoor rated

## Accessories (order separately)

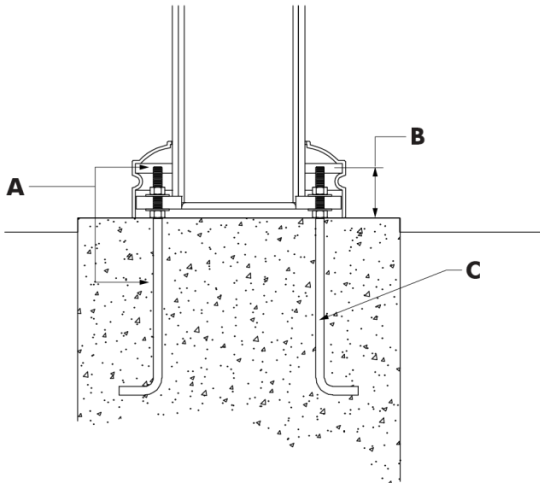
**Control Boxes** CBX-ST-Power and control box - star configuration

**Control Systems** Consult control systems section for details, Lumentone™ 2, Pharos® kit

**Diagnostic and Addressing Tools** LumenID, LumentalkID

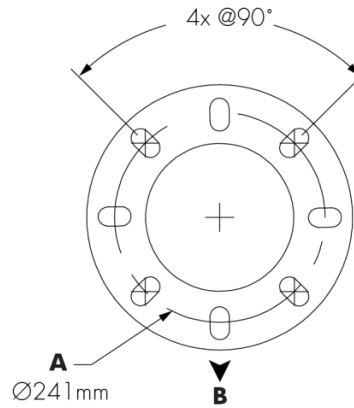
## Anchorage

### Anchor details



- A** - Galvanised steel portion
- B** - The threads of J-Hook anchors must protrude between 64 mm and 76 mm from concrete base.
- C** - (4X) Ø 3/4" by 660 mm J-Hook Anchors, supplied with two nuts and flats washers for each (provided).

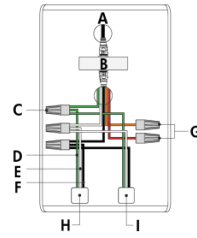
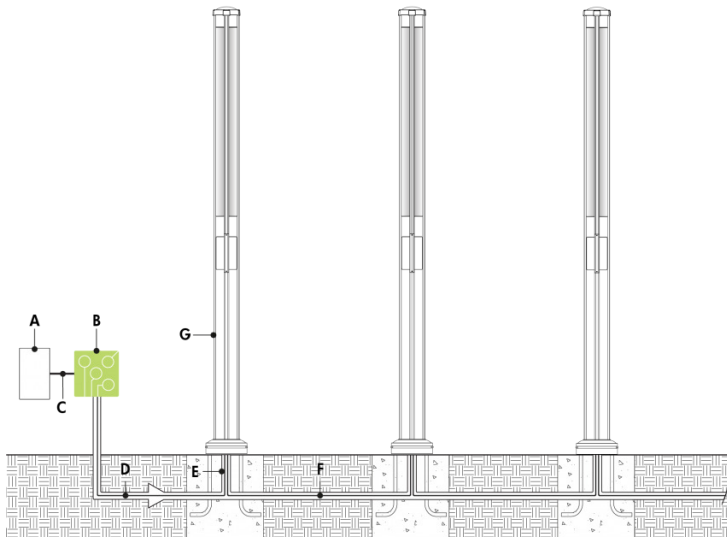
### Bolt Circle



- A** - Bolt circle
- B** - Access door

## Lumentalk (LT)

## Lumentalk (LT) - wiring detail at door



- A - To fixture
- B - PACBOX
- C - Wire-nuts (by others)
- D - Ground
- E - Line/Neutral
- F - Line
- G - Not required
- H - Power input (control over power line via Lumentalk system) or from previous fixture
- I - To next fixture

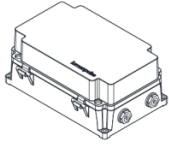
- A - Dimmer/controller (order separately from Lumenpulse, or by others)
- B - Lumentranslator (LTL-010, -DMX, -TRIAC, -DALI)
- C - Data wiring (by others)
- D - Power line (120-277V, wiring by others)
- E - Conduit (by others)
- F - Power wiring (by others)
- G - Element Column

- Consult factory for specific applications and maximum fixture count/cable length recommendations.
- Lumentalk enabled fixtures must be commissioned using LumentalkID software and a LID-LT. Consult factory for details.
- Maximum of 1 transmitter (Lumentranslator or Lumenlink) per system.
- No third party fixtures allowed on the same circuit.
- For DMX applications: 1 DMX controller per Lumentalk network, maximum of 48 DMX channels per Lumentalk network (minimum step transition update rate is 1 second, minimum fade time between two colours is 1 minute). Consult factory for applications that require additional capabilities.
- Consult factory for DALI Lumentalk applications.
- 1% minimum dimming value.

## Control boxes (order separately)

---

### CBX-ST - CBX-ST-Power and control box - star configuration



DMX/RDM control box. Up to six power and data outputs to fixtures or fixture runs. Ethernet enabled option. Refer to CBX specification sheet for details.

## Control systems (order separately)

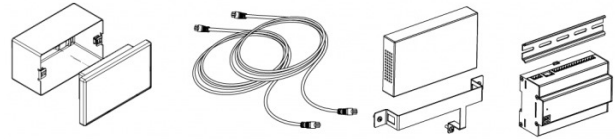
---

### LTN2 - Lumentone™ 2



Lumentone 2 is a simple pre-programmed DMX 512 controller with a push button rotary dial and live feedback.

### PHAROS - Pharos® kit



The Pharos kit, available for 1 or 2 DMX universes, allows for complete control of large lighting installations. 2 DMX universes kit shown.

## Diagnostic and addressing tools (order separately)

---

### LID - LumenID



LumenID is a diagnostic and addressing DMX/RDM tool. It must be specified on all DMX applications. Consult LID specification sheet for details.

### LID-LT - LumentalkID



LumentalkID is a diagnostic and addressing tool. It must be specified for all Lumentalk (LT) applications. Consult LID-LT specification sheet for details.

How to order

Housing	Output (nominal lumens) <sup>(1)</sup>	Voltage	Colour and Colour Temperature <sup>(2)</sup>	Colour Rendering <sup>(1)</sup>	Distributions	Lens	Finish	Control	Options
ELMC10 Element EC10	RO Regular output	<b>120</b> 120 volts	<b>22K</b> 2200K <sup>(1)</sup>	<b>CRI 70</b> CRI 70+ <sup>(3)</sup>	<b>S120</b> Symmetric 120	<b>O</b> Opal lens	<b>BK</b> Black Sandtex®	<b>NO</b> On/Off control <sup>(8)</sup>	<b>SP</b> Surge protector
	<b>ELMC20</b> Element EC20	<b>HO</b> High output	<b>208</b> 208 volts	<b>27K</b> 2700K <sup>(1)</sup>					
		<b>240</b> 240 volts	<b>30K</b> 3000K <sup>(1)</sup>				<b>SI</b> Silver Sandtex®	<b>DIM</b> 0-10V dimming <sup>(8)</sup>	
		<b>277</b> 277 volts	<b>35K</b> 3500K <sup>(1)</sup>				<b>BKTX</b> Textured black	<b>DALI</b> DALI dimming <sup>(8)</sup>	
		<b>347</b> 347 volts	<b>40K</b> 4000K <sup>(1)</sup>				<b>BRZTX</b> Textured bronze non-metallic	<b>DMX/RDM</b> DMX/RDM enabled	
		<b>480</b> 480 volts	<b>57K</b> 5700K <sup>(1)</sup>				<b>GRATX</b> Textured medium grey	<b>DIM/DTW</b> Dim to Warm via 0-10V (2700K to 2200K) <sup>(9)</sup>	
			<b>DWW</b> Dynamic warm white (2200K to 3000K)				<b>GRNTX</b> Textured green	<b>DMX/RDM1</b> Dim to Warm via single-channel DMX/RDM (2700K to 2200K) <sup>(9)</sup>	
			<b>DWH</b> Dynamic white (2700K to 6500K)				<b>WHTX</b> Textured white	<b>LT</b> Lumentalk <sup>(10) (11)</sup>	
			<b>RGBW30K</b> Additive RGB + white 3000K				<b>CC</b> Custom colour and finish (please specify RAL colour) <sup>(5) (6) (7)</sup>		
			<b>RGBW40K</b> Additive RGB + white 4000K				<b>ORANGE</b>		

Notes:

- Specify for white light only.
- Consult factory for static red, green or blue configuration.
- CRI 70 available for 40K and 57K colour temperatures only.
- CRI 80 available for 22K, 27K, 30K, 35K and 40K colour temperatures only.
- Specify RAL number followed by "TX" for textured finish (ex: RAL9007TX) or STX for Sandtex finish (ex: RAL9007STX). Textured or Sandtex finishes are recommended for the durability of all products. If a finish is not specified with the RAL number (ex: RAL9007), a glossy finish will be provided. Please consult factory for other RAL textures and glosses, or to match alternate colour charts. Final colour matching results may vary.
- Setup charges apply for RAL colours. Consult factory for details.
- Longer lead times can be expected for custom RAL colour finishes.
- On/Off, DIM and DALI control options available for white light configuration only.
- DIM/DTW and DMX/RDM1 control options available for dynamic warm white configuration only.
- Lumentalk control option available up to 277V.
- Consult factory for combination of Lumentalk with DWW, DWH and RGBW30K and RGBW40K colour temperatures.