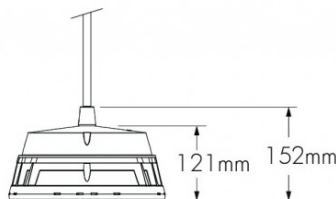


Project Name \_\_\_\_\_ Qty \_\_\_\_\_

Type **D** \_\_\_\_\_ Catalog / Part Number \_\_\_\_\_



Front view



Bottom view

## Photometric Summary

### Symmetric

	Delivered output (lm)	Intensity (peak cd)
<b>VN (6°)</b>	2402	125,148
<b>NS (10°)</b>	2572	91,221
<b>NF (20°)</b>	2541	23,829
<b>M (30°)</b>	2323	10,502
<b>FL (40°)</b>	2190	5407
<b>WFL (60°)</b>	1817	1886

### Asymmetric

<b>NAS</b>	2672	41,158 (@2.5°)
<b>WW</b>	2213	9834 (@5°)

Based on RGBV40K full output, DMX/RDM configuration. Photometric performance is measured in compliance with IESNA LM-79-08.

## Optics



VN - 6° NS - 10° NF - 20° M - 30°



FL - 40° WFL - 60° NAS WW

## Colours and Colour Temperatures



## Controls

lumen talk™ DMXrdm DALI8

## Description

The Lumenbeam Large Pendant Colour Changing is an IP66-rated suspended luminaire for applying white or coloured light to indoor areas with high ceilings or large outdoor spaces. The system offers numerous options, including optics for flood or accent lighting; a choice of RGB, RGBW, or RGBA colour mixing; various stem lengths, accessories, spread lenses, and controls; as well as Legacy or Custom output modes.

## Features

<b>Colour and Colour Temperature</b>	Additive RGB, Additive RGB + white 3000K, Additive RGB + white 4000K, Additive RGB + amber
<b>Mounting Length</b>	305 mm, 610 mm, 914 mm, 1219 mm
<b>Optics (nominal distribution)</b>	VN (6°), NS (10°), NF (20°), M (30°), FL (40°), WFL (60°), NAS (Narrow Asymmetric), WW (Asymmetric Wallwash)
<b>Optical Option</b>	Linear spread lens horizontal distribution, Linear spread lens vertical distribution
<b>Options</b>	Corrosion-resistant coating for hostile environments
<b>Power Consumption</b>	50 W
<b>Warranty</b>	5-year limited warranty

## Performance

<b>Maximum Delivered Output</b>	2,664 lm (RGB full output, NAS @ 2.5°, DMX/RDM), 2,619 lm (RGBW30K full output, NAS @ 2.5°, DMX/RDM), 2,672 lm (RGBW40K full output, NAS @ 2.5°, DMX/RDM), 2,168 lm (RGBA full output, NAS @ 2.5°, DMX/RDM)
<b>Maximum Delivered Intensity</b>	124,768 cd at nadir (RGBA full output, VN 6°, DMX/RDM), 122,645 cd at nadir (RGBW30K full output, VN 6°, DMX/RDM), 125,148 cd at nadir (RGBW40K full output, VN 6°, DMX/RDM), 101,519 cd at nadir (RGBA full output, VN 6°, DMX/RDM)

## Ratings

IP66 fixture    IP54 canopy    IK10

## Certifications



<b>Illuminance at Distance</b>	Minimum 1 fc at 107.6 m (RGB full output, VN 6°, DMX/RDM), Minimum 1 fc at 106.7 m (RGBW30K full output, VN 6°, DMX/RDM), Minimum 1 fc at 107.9 m (RGBW40K full output, VN 6°, DMX/RDM), Minimum 1 fc at 97.2 m (RGBA full output, VN 6°, DMX/RDM)
--------------------------------	--

<b>Lumen Maintenance</b>	L70 120,000 hrs (Ta 25 °C)
--------------------------	----------------------------

## Physical

<b>Housing Material</b>	Low copper content high pressure die-cast aluminium
<b>Lens Material</b>	Clear tempered glass
<b>Hardware Material</b>	Stainless steel
<b>Gasket Material</b>	Silicone
<b>Surface Finish</b>	Electrostatically applied polyester powder coat
<b>Weight</b>	5.44 kg

## Electrical and control

<b>Voltage</b>	100 to 277 volts
<b>Fixture Cable</b>	Power and data cable goes through stem
<b>Conductors</b>	3C #16-3 (LT control), 5C #16-5 (DALI8 control), 6C #14-3/ #24-3 (DMX/RDM control)
<b>Control</b>	Lumentalk, DMX/RDM enabled, DALI-2 dimming Type 8
<b>Resolution (DMX/RDM)</b>	Per fixture, 8-bit or 16-bit, 3 channels (RGB) or 4 channels (RGBW30K, RGBW40K and RGBA)
<b>RGB Colour Mixing</b>	36 LEDs (12x Red, 12x Green, 12x Blue)
<b>RGBW30K Colour Mixing</b>	28 LEDs (7x Red, 7x Green, 7x Blue, 7x White 3000K)
<b>RGBW40K Colour Mixing</b>	28 LEDs (7x Red, 7x Green, 7x Blue, 7x White 4000K)
<b>RGBA Colour Mixing</b>	28 LEDs (7x Red, 7x Green, 7x Blue, 7x Amber)

## Environmental

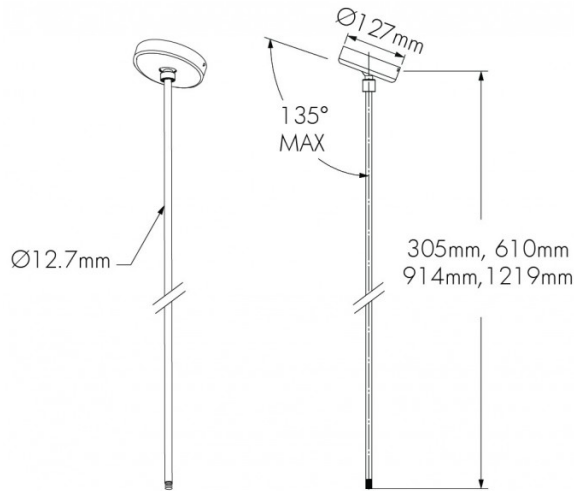
<b>Storage Temperature</b>	-40 °C to 70 °C (device must reach start-up temperature value before operating)
<b>Start-up Temperature</b>	-25 °C to 50 °C
<b>Operating Temperature</b>	-40 °C to 50 °C
<b>Ingress Protection Rating</b>	IP66 fixture (wet location rated), IP54 canopy (suitable for wet location, not suitable for water jet)
<b>Impact Resistance Rating</b>	IK10

## Accessories (order separately)

<b>Optical Accessories</b>	Snoot, Snoot wide, Visor, Linear Spread Lens Adjustable, Wire guard
<b>Control Boxes</b>	DMX/RDM enabled (daisy chain or star configuration), Ethernet enabled (daisy chain or star configuration)
<b>Control Systems</b>	Lumentone™ 2, Pharos® kit
<b>Diagnostic and Addressing Tools</b>	LumenID, LumentalkID

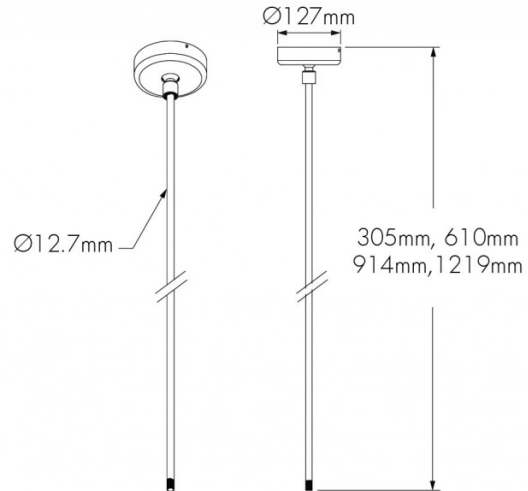
**Mounting types**

**ACAN - Adjustable sloped ceiling canopy**



Not suitable when fixture is exposed to wind.

**SCAN - Standard straight stem canopy**



Not suitable when fixture is exposed to wind.

**Optical options**

**LSLH - Linear spread lens horizontal distribution**



**LSLV - Linear spread lens vertical distribution**



**Beam angles**

Optic installed in fixture	Beam angle with LSLH/LSLV
<b>VN</b>	7° x 60°
<b>NS</b>	13° x 66°
<b>NF</b>	16° x 62°
<b>M</b>	23° x 65°
<b>FL</b>	33° x 70°

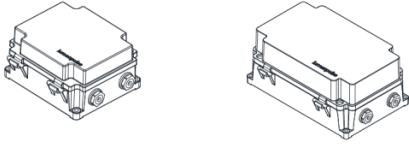
LLF: 0.88\*

\*LLF may vary slightly by distribution chosen.

Factory installed, not adjustable on site. Not available for WFL, NAS and WW optics. See 'Optical Accessories' section for field adjustable spread lens (LSLA).

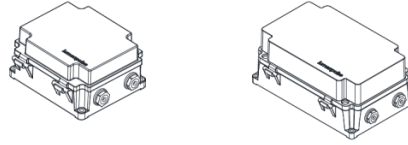
## Control boxes (order separately)

### CBX-DMX/RDM - DMX/RDM enabled (daisy chain or star configuration)



DMX/RDM control box. Up to six power and data outputs to fixtures or fixture runs. Consult CBX specification sheet and installation instructions for details. Lumenterminators provided with CBX (2x for daisy chain configuration, 6x for star configuration), consult factory to order spares.

### CBX-ENET - Ethernet enabled (daisy chain or star configuration)



Ethernet control box. Up to four power and data outputs to fixture or fixture runs. Consult Ethernet CBX specification sheet and installation instructions for details.

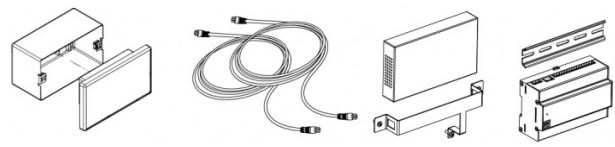
## Control systems (order separately)

### LTN2 - Lumentone™ 2



Lumentone 2 is a simple pre-programmed DMX 512 controller with a push button rotary dial and live feedback.

### PHAROS - Pharos® kit



The Pharos kit, available for 1 or 2 DMX universes, allows for complete control of large lighting installations. 2 DMX universes kit shown.

## Diagnostic and addressing tools (order separately)

### LID - LumenID



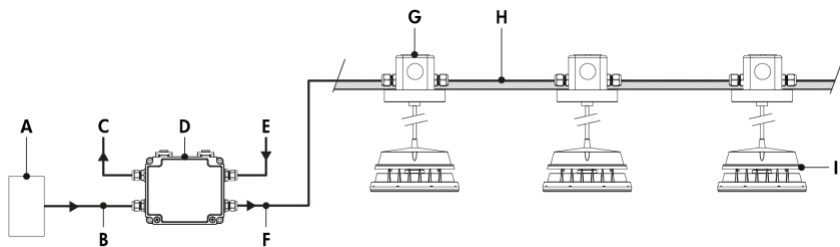
LumenID is a diagnostic and addressing DMX/RDM tool. It must be specified on all DMX applications. Consult LID specification sheet for details.

### LID-LT - LumentalkID



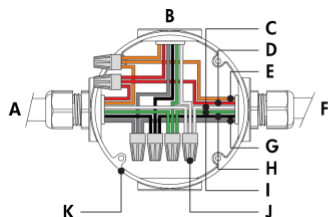
LumentalkID is a diagnostic and addressing tool. It must be specified for all Lumentalk (LT) applications. Consult LID-LT specification sheet for details.

## Daisy Chain Layout (DMX/RDM)



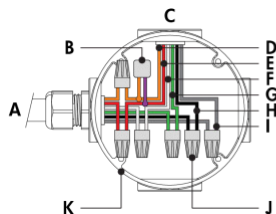
- A** - DMX/RDM controller (order separately from Lumenpulse, or by others)
- B** - Data input (Belden 9841 or equivalent, by others)
- C** - Data output to next CBX (optional, not isolated/not boosted)
- D** - CBX-DS
- E** - Power input (100-277V AC, wiring by others)
- F** - Power and data output to fixture (wiring by others)
- G** - Junction box (by others)
- H** - Power and data wiring (by others)
- I** - Lumenbeam Large Pendant

## Daisy Chain Layout (DMX/RDM) - wiring detail (first or middle of run)



- A** - From CBX or previous fixture
- B** - To fixture
- C** - Neutral
- D** - Data +
- E** - Data -
- F** - To next fixture
- G** - Signal common
- H** - Line
- I** - Ground
- J** - Wire-nut (by others)
- K** - Junction box (by others)

## Daisy Chain Layout (DMX/RDM) - wiring detail (end of run)



- A** - From CBX or previous fixture
- B** - Lumenterminator
- C** - To fixture
- D** - Data -
- E** - Data +
- F** - Neutral
- G** - Ground
- H** - Line
- I** - Signal common
- J** - Wire-nut (by others)
- K** - Junction box (by others)

## Maximum fixture count per run

Configuration/Voltage	120V	208V	240V	277V
<b>LBP</b>	18	28	32	32

Based on 15A maximum, 16AWG cable, fixtures spaced 3 m on centre, first fixture 15.2 m from CBX.

- Consult CBX installation instructions for additional wiring details.
- Consult factory for specific applications and maximum fixture count/cable length recommendations.
- The DMX/RDM protocol states a maximum of 32 DMX/RDM enabled fixtures on any single run.
- Maximum of 4 DMX/RDM repeaters/CBX cascading in line.
- Maximum of 1 output per CBX-DS.
- Maximum of 0.9 m cable length between fixture and next junction box for daisy chain layout.
- RGB colour mixture option requires 3 DMX addresses. RGBW30K and RGBW40K colour mixture options require 4 DMX addresses. RGBA colour mixture option requires 4 DMX addresses.
- DMX terminator is required at the end of each run to maintain data integrity. Two (2x) DMX lumenterminators included per CBX-DS. See installation instructions for details.
- 50 watts per fixture.

**How to order**

Housing	Voltage	Colour and Colour Temperature	Optics	Mounting Type	Mounting Length (3)	Optical Option (4) (6)	Finish	Control	Options	Certification
<b>LBLP</b> Lumenbeam™ Large Pendant	<b>100</b> 100 volts	<b>RGB</b> Additive RGB	<b>VN</b> Very Narrow 6° (2)	<b>SCAN</b> Straight stem canopy	<b>12</b> 305 mm	<b>LSLH</b> Linear spread lens horizontal distribution (5)	<b>BK</b> Black Sandtex®  <b>BRZ</b> Bronze Sandtex®  <b>SI</b> Silver Sandtex®  <b>WH</b> Smooth white  <b>BKTX</b> Textured black  <b>BRZTX</b> Textured bronze non-metallic  <b>GRATX</b> Textured medium grey  <b>GRNTX</b> Textured green  <b>WHTX</b> Textured white  <b>CC</b> Custom colour and finish (please specify RAL colour) (7) (8) (9)	<b>LT</b> Lumentalk (10) (11)  <b>DMX/RDM</b> DMX/RDM enabled (12)  <b>DALIT8</b> DALI-2 dimming Type 8 (13)	<b>CRC</b> Corrosion-resistant coating for hostile environments (14) (15)	<b>UL</b> UL compliant  <b>CE</b> CE compliant (16)  <b>CEII</b> CE compliant Class II double insulated (14)
	<b>120</b> 120 volts	<b>RGBW30K</b> Additive RGB + white 3000K (1)	<b>NS</b> Narrow Spot 10° (2)		<b>ACAN</b> Adjustable sloped ceiling canopy					
	<b>208</b> 208 volts	<b>RGBW40K</b> Additive RGB + white 4000K (1)	<b>NF</b> Narrow Flood 20° (2)	<b>36</b> 914 mm						
	<b>220</b> 220 volts		<b>RGBA</b> Additive RGB + amber	<b>M</b> Medium 30° (2)	<b>48</b> 1219 mm					
	<b>240</b> 240 volts	<b>FL</b> Flood 40° (2)								
	<b>277</b> 277 volts		<b>WFL</b> Wide Flood 60° (2)							
			<b>NAS</b> Narrow Asymmetric (2)							
			<b>WW</b> Asymmetric Wallwash (2)							

**Notes:**

1. 2700K, 3500K and Royal Blue available, consult factory. Longer lead times apply.
2. Factory installed, not interchangeable on site.
3. Consult factory for custom stem lengths.
4. Optical options are factory installed and cannot be changed in the field.
5. Field adjustable spread lens optical accessory available, order separately.
6. Not available with WFL, NAS and WW optics.
7. Lumenpulse offers a wide selection of RAL CLASSIC (K7) colours with a smooth texture and high-gloss finish. Please consult factory for a list of available K7 colours, other RAL textures and glosses, or to match alternate colour charts. Final colour matching results may vary.
8. Setup charges apply for RAL colours. Consult factory for details.
9. Longer lead times can be expected for custom RAL colour finishes.
10. A Lumentranslator 2 (LTL2) and LumentalkID (LIDL) must be specified for Lumentalk applications. Consult Lumentranslator 2 and Lumentalk pages and specification sheets for details.
11. Not available with Class II double insulated option.
12. A control box (CBX) and LumenID (LID) must be specified.
13. DALI-2 Type 8 controller required, provided by others.
14. Use only when exposed to salt spray. This option is not required for normal outdoor exposure.
15. Setup charges apply. Consult factory for details.
16. Consult European specification sheets and installation instructions for CE and CE Class II wiring information.